

CGM-504

CO Monitor

REV. A131226



US DRAFT CO.

A division of R.M. Manifold Group, Inc.



Applications

Monitors natural gas or LP fired equipment rooms in hospitals, hospitality, schools and office buildings

Function

Pre-programmed dry contact relays to shutdown natural gas or LP fired equipment during unsafe operation

Construction

The NEMA 1 enclosure is constructed of ABS Plastic

Code Compliance

The CGM-504 is designed to comply with all national code requirements • Complies with Texas Boiler Administrator Rules 65.100(c) 2015

Warranty

Two year factory warranty

Description

The CGM-504 is an environmental, industrial and commercial indoor carbon monoxide gas detector specially designed to interlock with building management systems or other devices monitoring fossil fuel appliances

- The CGM-504 is designed to detect unsafe levels of carbon monoxide in the mechanical room or monitored room
- The onboard dry contacts are programmed to energize upon start-up and will de-energize if unsafe levels of CO are present
- Relay #1 is preprogrammed to close a dry contact if the carbon monoxide level reached 50 ppm for five minutes, and relay #2 will close a dry contact at 100 ppm instantaneously
- An audible alarm activates at 50 ppm

Standard Features & Equipment

- 0-10 VDC control signal out
- Interlocks up to two appliances
- 24VDC or VAC power
- Visual alarm
- Audible alarm
- NEMA 1 enclosure

Optional Equipment

- 24VDC Power Supply
- NIST calibration certificate
- Replaceable electromechanical sensing element

All rights reserved. Information may be updated without notice. Visit www.usdraftco.com for most current information

US DRAFT CO.

A Division of RM Manifold Group, Inc.
220 S. Sylvania Avenue, Suite 207, Fort Worth, TX 76111
Phone: 817-393-4029 Fax: 866-903-5771
www.usdraftco.com

Project Name:

Location:

Engineer:

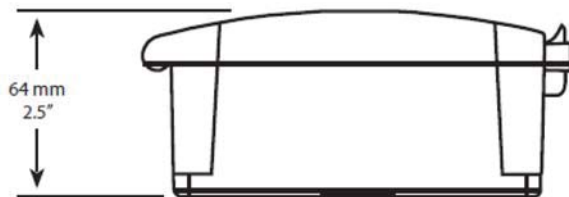
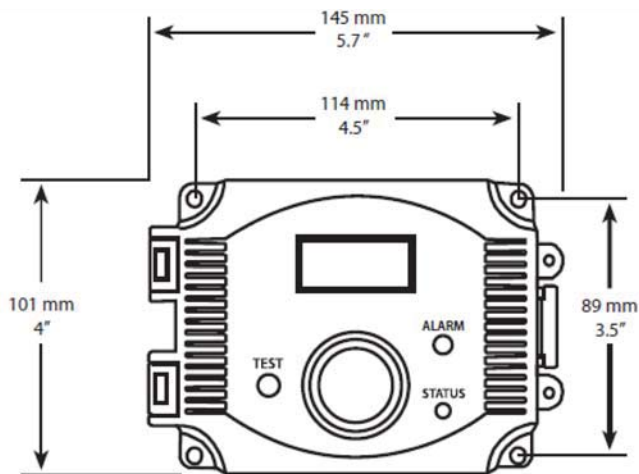
Contractor:

POWER REQUIREMENTS

VOLTAGE	AMPS.	FREQUENCY	PHASE
24VAC/VDC	.150/.130	60/NA	1/NA
RELAY			
VOLTAGE	AMPS.		
250VAC	5		
CONTROL SIGNAL			
VOLTAGE	AMPS.		
0-10VDC	.1		

SPECIFICATIONS

AGENCY APPROVALS	ANSI/UL 2034&2075
COVERAGE	7500FT ² OR 50FT RADIUS
ACCURACY 32-120°F	±5 PPM OR 5% OF READING
CALIBRATION CYCLE	12 TO 18 MONTHS
RESPONSE TIME	<35 SECONDS @ 90% STEP
WARM UP TIME	200 SECONDS
BUZZER ALARM	85dB @ 10 FT



US DRAFT CO.

A Division of RM Manifold Group, Inc.
 220 S. Sylvania Avenue, Suite 207, Fort Worth, TX 76111
 Phone: 817-393-4029 Fax: 866-903-5771
 www.usdraftco.com

CGM-504

CO Monitor

REV. A131226