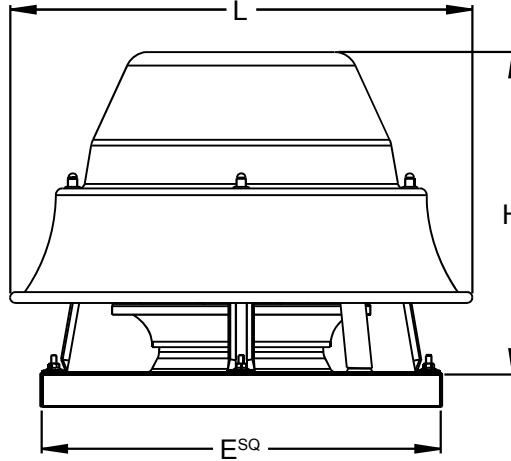


DX13 | DIRECT DRIVE



Model	Dimensions			
	L (Dia.)	H	E*	Ro
DX13V/S/R	21 7/16	14 3/4	18 1/2 x 18 1/2	11 1/2 x 11 1/2
DX13Q	21 7/16	14 3/4	18 1/2 x 18 1/2	11 1/2 x 11 1/2

All dimensions are in inches. *Outside dimension of curb should be 1 1/2" less than "E" dimension.

Model	Nominal			Tip Speed FPM	0.000" SP		0.125" SP		0.250" SP		0.375" SP		0.500" SP		0.625" SP		0.750" SP		0.875" SP		1.000" SP		1.250" SP	
	HP	Max Watts	RPM		CFM	Sones	CFM	Sones	CFM	Sones	CFM	Sones	CFM	Sones	CFM	Sones	CFM	Sones	CFM	Sones	CFM	Sones	CFM	Sones
DX13V	1/20	92	1050	3221	661	4.4	479	3.1	341	2.8	262	3.6	207	4.3	161	5.1	115	5.9	79	6.6	44	7.4	-	-
DX13S	1/12	120	1300	3988	869	8	749	6.4	632	5.3	510	5.4	418	6	349	6.4	290	6.7	226	7	158	7.4	-	-
DX13R	1/6	201	1550	4755	1054	10.5	988	9.9	917	9.2	839	8.9	736	8.5	651	8.2	579	7.9	510	7.9	428	8	191	8.5
DX13Q	1/4	314	1725	5292	1280	16	1226	15.3	1170	14.6	1112	14	1053	13.4	995	13	936	12.5	868	12	796	11.5	630	11

Performance certified is for installation Type A: Free Inlet, Free Outlet. Speed (RPM) shown is nominal. Performance is based on actual speed of test. The sound ratings shown are for loudness values in fan sones at 5'0" (1.5m) in a hemispherical free field calculated per AMCA International Standard 301. Values shown are for installation Type A: free inlet hemispherical sone levels. Performance ratings do not include the effects of appurtenances.

Domex fans are only one component of a total system. As such, fan performance is directly affected by the system. It is critical that system designers determine the actual system loss to ensure that the actual flow is specified in the system design.