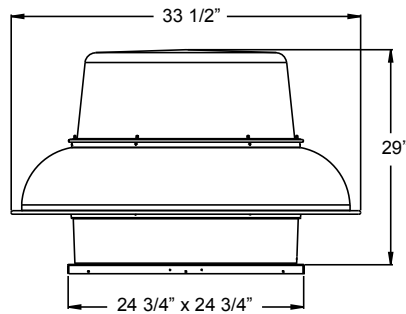


DX141-DX161 | ENHANCED DIRECT DRIVE

DX141



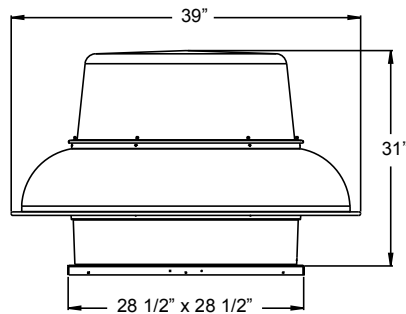
Model	HP	RPM	0.000" SP		0.250" SP		0.500" SP		0.750" SP		1.000" SP		1.250" SP		1.500" SP		1.750" SP		2.000" SP		
			CFM	Sones	CFM	Sones	CFM	Sones	CFM	Sones	CFM	Sones	CFM	Sones	CFM	Sones	CFM	Sones	CFM	Sones	CFM
DX141LGP	1/6	500	1360	4.7	-	-	-	-	-	-	-	-	-	-	-	-	-	-	-	-	-
DX141MGP	1/6	690	1877	7.5	1253	6.2	-	-	-	-	-	-	-	-	-	-	-	-	-	-	-
DX141WGP	1/4	860	2340	9.9	1894	8.5	1223	6.4	-	-	-	-	-	-	-	-	-	-	-	-	-
DX141VGP	1/2	1050	2857	13.5	2510	12.4	2067	10.9	1478	8.5	-	-	-	-	-	-	-	-	-	-	-
DX141SGP	3/4	1300	3537	19	3255	18	2964	17	2586	15.6	2165	13.4	-	-	-	-	-	-	-	-	-
DX141RGP	1 1/2*	1550	4217	22.7	3980	21.9	3747	20.9	3488	19.9	3174	18.8	2831	17.5	2461	16.3	1820	15.7	-	-	-
DX141Q1GP	1 1/2*	1650	4489	23.3	4267	22.5	4047	21.6	3823	20.7	3547	19.7	3229	18.5	2906	17.7	2539	17.1	1859	17	-
DX141Q2GP	2	1725	4693	24.9	4481	24.1	4270	23.3	4061	22.5	3806	21.5	3518	20.5	3211	19.4	2888	18.7	2477	17.9	-

*Single phase motor available on 2HP.

Performance certified is for installation Type A: Free Inlet, Free Outlet. Speed (RPM) shown is nominal. Performance is based on actual speed of test. The sound ratings shown are for loudness values in fan sones at 5'0" (1.5m) in a hemispherical free field calculated per AMCA International Standard 301. Values shown are for Installation Type A: free inlet hemispherical sone levels. Performance ratings do not include the effects of appurtenances.

Domex fans are only one component of a total system. As such, fan performance is directly affected by the system. It is critical that system designers determine the actual system loss to ensure that the actual flow is specified in the system design.

DX161



Model	HP	RPM	0.000" SP		0.250" SP		0.500" SP		0.750" SP		1.000" SP		1.250" SP		1.500" SP		1.750" SP				
			CFM	Sones	CFM	Sones	CFM	Sones	CFM	Sones	CFM	Sones	CFM	Sones	CFM	Sones	CFM	Sones	CFM	Sones	
DX161LGP	1/6	500	2081	6.4	1320	5.5	-	-	-	-	-	-	-	-	-	-	-	-	-	-	-
DX161MGP	1/3	690	2872	10.4	2430	9.6	1655	8.8	-	-	-	-	-	-	-	-	-	-	-	-	-
DX161WGP	3/4	860	3580	14.1	3233	13.4	2860	12.5	2213	11.3	-	-	-	-	-	-	-	-	-	-	-
DX161VGP	1*	1050	4371	18.6	4092	18	3795	17	3486	16.3	3069	15.4	-	-	-	-	-	-	-	-	-
DX161SGP	2	1300	5412	24.4	5186	23.9	4956	23.2	4714	22.4	4466	21.5	4202	20.7	3870	19.8	3210	18	-	-	-

*Single phase motor available on 2HP.

Performance certified is for installation Type A: Free Inlet, Free Outlet. Speed (RPM) shown is nominal. Performance is based on actual speed of test. The sound ratings shown are for loudness values in fan sones at 5'0" (1.5m) in a hemispherical free field calculated per AMCA International Standard 301. Values shown are for Installation Type A: free inlet hemispherical sone levels. Performance ratings do not include the effects of appurtenances.

Domex fans are only one component of a total system. As such, fan performance is directly affected by the system. It is critical that system designers determine the actual system loss to ensure that the actual flow is specified in the system design.